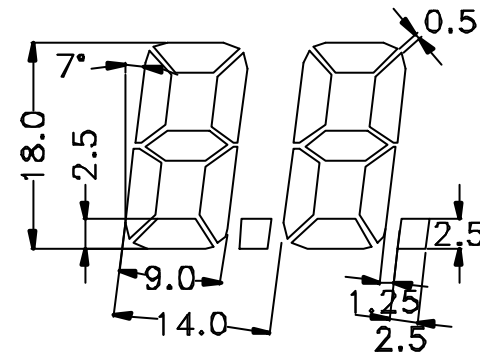


PIN	1	2	3	4	5	6	7	8	9	10	11	12	13	14	15	16	17
SEG	BP	1E	1D	1C	DP1	2E	2D	2C	DP2	3E	3D	3C	DP3	4E	4D	4C	DP4
PIN	18	19	20	21	22	23	24	25	26	27	28	29	30	31	32	33	34
SEG	5E	5D	5C	DP5	6E	6D	6C	6B	6A	6F	6G	5B	5A	5F	5G	COL4	4B
PIN	35	36	37	38	39	40	41	42	43	44	45	46	47	48	49	50	
SEG	4A	4F	4G	3B	3A	3F	3G	COL2	2B	2A	2F	2G	1B	1A	1F	1G	



DISPLAY TYPE: TN/POSITIVE  
 VIEWING DIRECTION: 6:00  
 DISPLAY MODE: REFLECTIVE  
 DRIVING METHOD: STATIC

OPERATING VOLTAGE: 5.0V  
 OPERATING TEMPERATURE: -30°~85°C  
 STORAGE TEMPERATURE: -30°~85°C  
 CONNECTOR: PIN